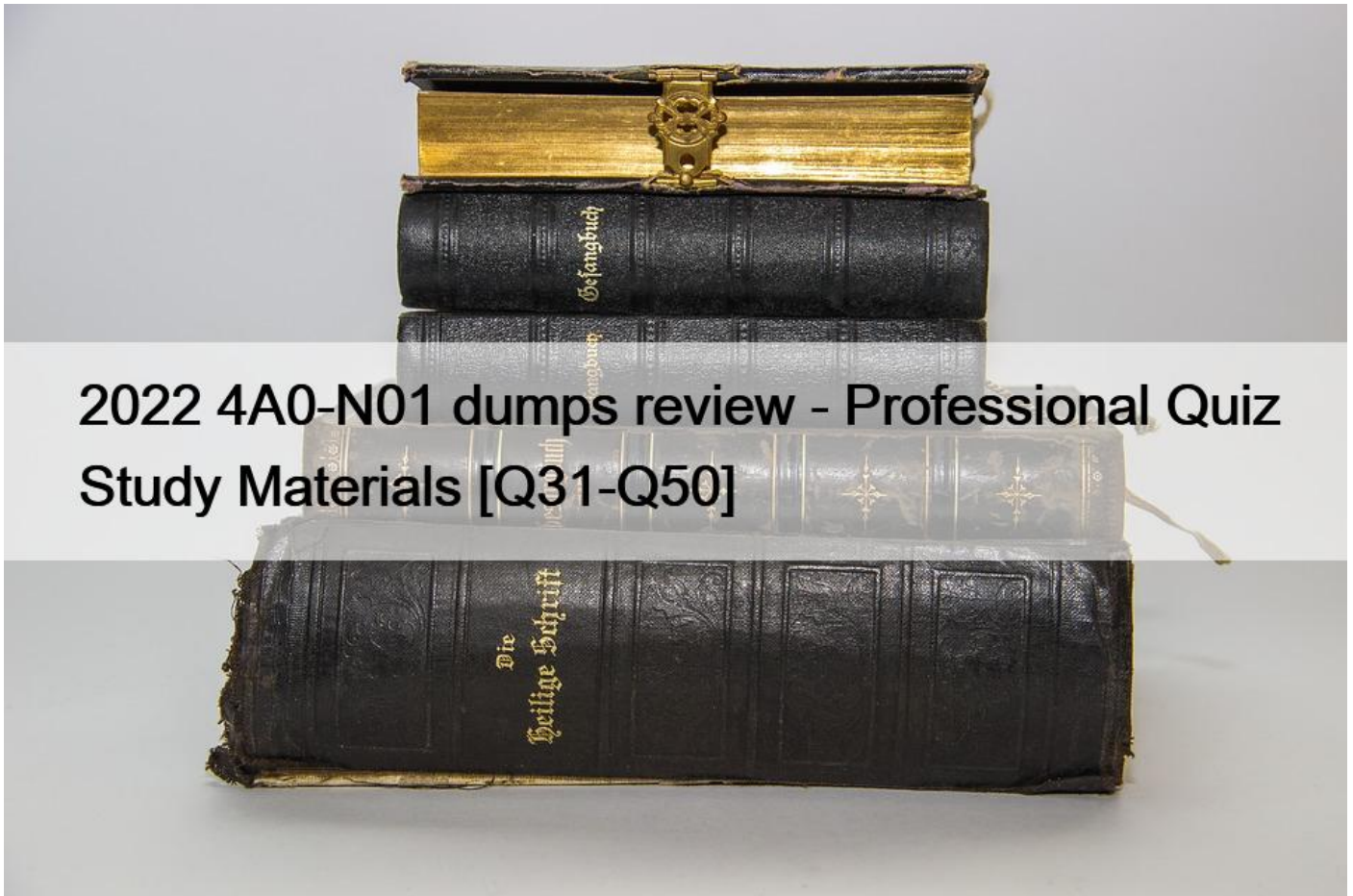


2022 4A0-N01 dumps review - Professional Quiz Study Materials [Q31-Q50]



2022 4A0-N01 dumps review - Professional Quiz Study Materials [Q31-Q50]

2022 4A0-N01 dumps review - Professional Quiz Study Materials
4A0-N01 Test Prep Training Practice Exam Questions Practice Tests

NO.31 Which of the following is NOT an improvement provided by the backhaul VPLS?

- * Reducing the number of EVPN on the HV.
- * Reducing the number of VXLAN tunnels.
- * Reducing the size of MAC address table.
- * Reducing the consumption of bandwidth.

NO.32 What statement correctly describes the difference between a managed Layer 2 domain and an unmanaged Layer 2 domain?

- * A managed L2 domain has one or more zones and each zone can have multiple subnets, each with its own IP address pool, while an unmanaged L2 domain does not have zones or subnets.
- * Managed L2 domains can have overlapping IP address pools, while unmanaged L2 domains are not allowed to have overlapping IP address pools.
- * In a managed L2 domain, Nuage VCS manages security policies, while in an unmanaged domain, Nuage VCS cannot manage the security policies.
- * In a managed L2 domain, Nuage VCS performs DHCP and ARP proxy functions, while in an unmanaged domain VCS has no visibility of IP addresses.

NO.33 Which statement is TRUE when comparing Virtual Machines and Containers?

- * Virtual Machines are faster to boot.
- * Containers do not need a CMS.
- * All Virtual Machines on the same hypervisor must run the same guest OS.
- * All Containers on the same host use the same OS kernel.

NO.34 What three main components comprise the Nuage Networks VCS solution?

- * VSD, VSC, and VSG
- * VSD, VSC, and VRS
- * VNS, VSC, and VSG
- * VNS, VRS, and VSG

Explanation/Reference: <https://www.nuage networks.net/products/virtualized-cloud-services/>

NO.35 What statement regarding VSD user management is TRUE?

- * We can create CMS user groups for each enterprise.
- * Each enterprise user belongs to only one user group.
- * Open LDAP and Active Directory can be integrated into VSD.
- * LDAP integration is configured at the VSD global level, and it is not configurable enterprise.

Easy as adding them to a specific user group.

NO.36 What statement regarding the VRS-G is FALSE?

- * The VRS-G is the software VXLAN/VLAN gateway of the Nuage VCS solution.
- * The VRS-G is deployed on a hypervisor, following the same deployment requirements as a regular VRS.
- * Virtual machines created on the hypervisor are attached to access ports on VRS-G.
- * The network ports on VRS-G point towards the Nuage overlay VXLAN network.

This permits the bridging of the hypervisor-focused overlay networking and physical devices in the data center.

Reference: <https://jujucharms.com/nuage-vrsg/>

NO.37 Which domain can be extended to a 7750 DCI by GRE tunnels?

- * A managed L2 domain.
- * An unmanaged L2 domain.
- * A subnet within an L3 domain.
- * An L3 domain.

NO.38 Which of the following interfaces does NOT belong to the underlay network?

- * Interface on VSD
- * Control Interface on VSC
- * Openflow interface on VSC
- * Hypervisor interfaces carrying VXLAN traffic

NO.39 What use case does not apply in virtual machine migration?

- * Optimization of East-West traffic flows.
- * Maintenance and upgrading of the servers.
- * Avoidance of disaster caused by a power outage or hardware failure.
- * Entry saving by shutting down under-utilized servers after moving all their VNs.

NO.40 If we compare a Nuage Virtual Service Node to a physical service router, which module is VSC mapped to?

- * Switch fabric

- * Line card
- * CPU module
- * Internal clock

The switching fabric is independent of the bus technology and infrastructure used to move data between nodes and also separate from the router. The term is sometimes used to mean collectively all switching hardware and software in a network.

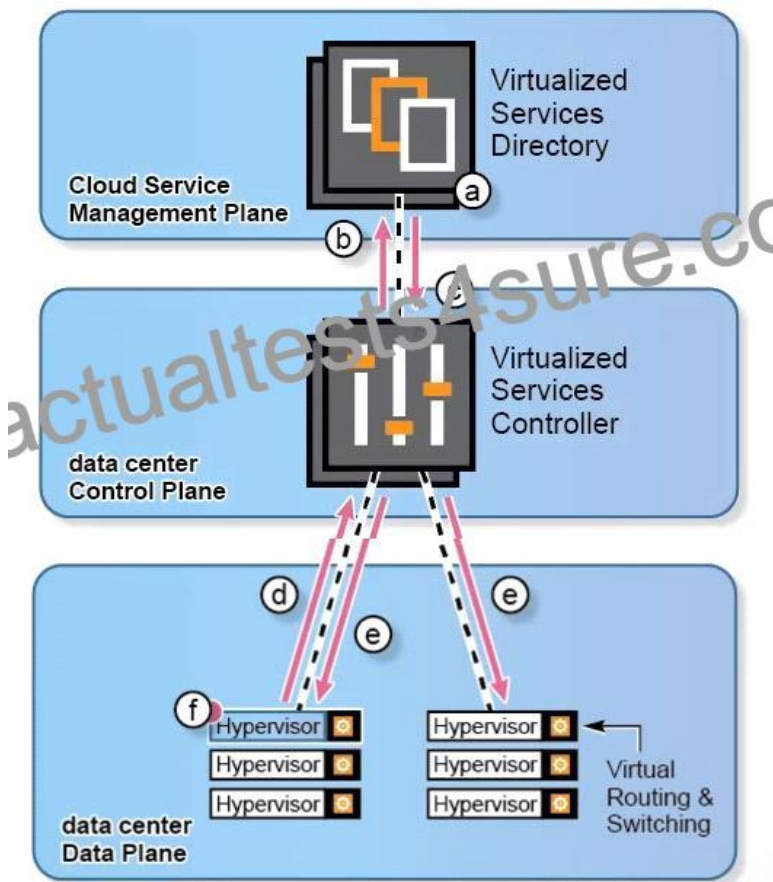
NO.41 Which statement correctly describes cloud computing?

- * Services are statically provisioned by a cloud service provider.
- * Services are offered as needed through the Internet.
- * SDN is the key enabler for cloud computing.
- * It provides convenient, permanent network access to a shared pool of computing resources.

Explanation

Cloud computing is a model for enabling convenient, on-demand network access to a shared pool of configurable computing resources

NO.42 Refer to the diagram.



What is the correct sequence of events for a VM to be instantiated, and for its required network connectivity to be created with the Nuage VCS solution?

- a. Network domain and policy templates are defined on VSD. b.

VSC queries VSD on network service and policies. c. VSD provides VSC with network service and policies. d. VRS agent informs VSC of the new VM placement. e. VSC deploys policy to applicable VRS agents. f. VM instantiated on the hypervisor.

- * a->b->c->d->e->f
- * a->b->c->f->d->-e
- * a->f->d->b->c->-e
- * f->d->b->a>c->-e

NO.43 What statement about policy groups is FALSE?

- * Several vPorts (in the same or different subnets) can be associated with one policy group.
- * One vPort can be associated with multiple policy groups.
- * For an ingress security policy, if a hardware endpoint policy group is chosen as the source, the

destination must also be hardware endpoints

- * The policy group is the syntactic equivalent of the security group used by cloud management

systems.

NO.44 To auto-instantiate services on a 7750 DCI, which protocol needs to be enabled between the 7750 SR and

VSD?

- * SNMP
- * Openflow
- * XMPP
- * BGP EVPN

NO.45 What statement regarding Openflow sessions in data center networks is TRUE?

- * By default, the Openflow session is established with TCP port 6633.
- * Openflow sessions run between VSCs.
- * Security is mandatory with SSL encryption.
- * Openflow sessions can be established over either the data plane or the management plane.

SSL (Secure Sockets Layer) is the standard security.

NO.46 Which of the following is NOT Nuage Networks metadata required when creating a virtual machine?

- * Enterprise
- * Subnet
- * VLAN ID
- * User

Reference:

<https://nuagenetworks.github.io/2016/03/25/Migrating-ESXi-Workloads-to-Nuage.html>

NO.47 What statement regarding the VRS-G is FALSE?

- * The VRS-G is the software VXLAN/VLAN gateway of the Nuage VCS solution.
- * The VRS-G is deployed on a hypervisor, following the same deployment requirements as a regular VRS.
- * Virtual machines created on the hypervisor are attached to access ports on VRS-G.
- * The network ports on VRS-G point towards the Nuage overlay VXLAN network.

Explanation

This permits the bridging of the hypervisor-focused overlay networking and physical devices in the data center.

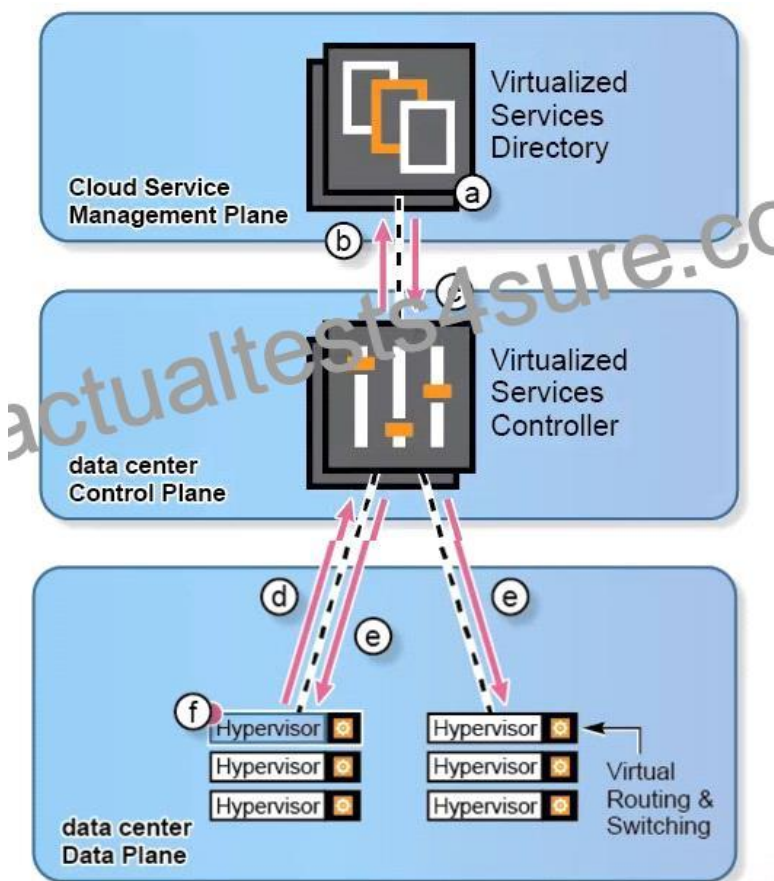
NO.48 What statement about virtual switches is FALSE?

- * A virtual switch is typically implemented within the hypervisor so that the network is extended onto the server.
- * Virtual switches are VLAN capable.
- * Typically, virtual switches are as capable as physical switches, eg: LAG, hardware-based QoS.
- * If a virtual switch is not on the hypervisor, all traffic will go out of the physical NIC.

NO.49 What statement is TRUE regarding multiple virtual IP addresses assigned to a single vPort?

- * The virtual IP addresses can be in a different subnet than the VM interface IP address.
 - * All virtual IP addresses of a vPort must be in the same subnet.
 - * One of the virtual IP addresses can be the same as the VM interface IP address.
 - * Every virtual IP address must be associated with a virtual MAC, which differs from the VM interface MAC address.
- If you have only one public IP address available, and you want to host multiple servers, use aVIP.

NO.50 Refer to the diagram.



Which statement is describing a step incorrectly?

- * Step a, which consists of defining network domain and policy templates on VSD, must be performed first in all situations.
- * Step d, which refers to the VRS agent informing the VSC of the placement of a new VM, is triggered by step f in which the VM is instantiated on a hypervisor.
- * Step b, in which the VSC queries VSD on network service and policies required for a new VM, is triggered either by API calls

from the CMS or by manual configuration.

* Step e, in which the forwarding tables are deployed, consists of the VSC sending them not only to the VRS agent hosting the new VM, but to all applicable VRS agents.

Exam Questions Answers Braindumps 4A0-N01 Exam Dumps PDF Questions:

<https://www.actualtests4sure.com/4A0-N01-test-questions.html>